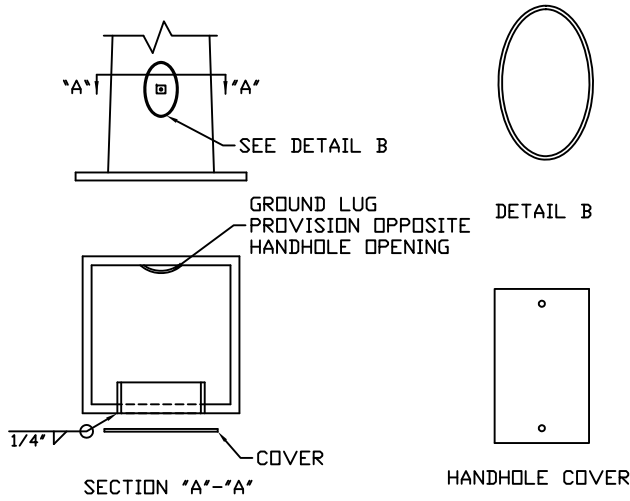
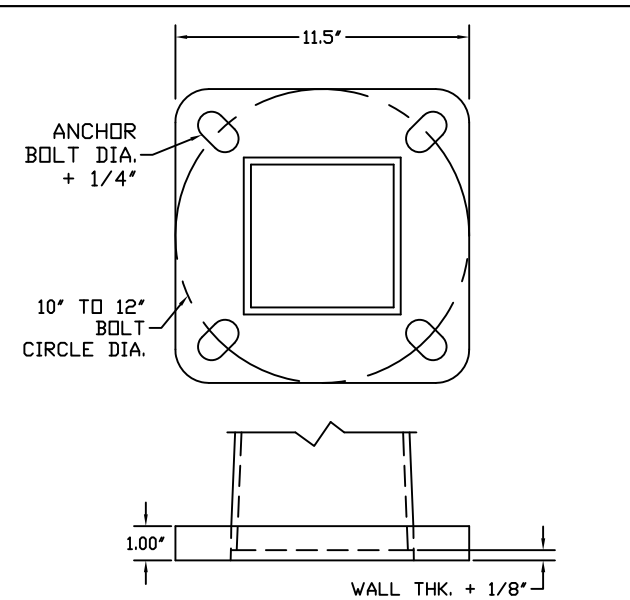


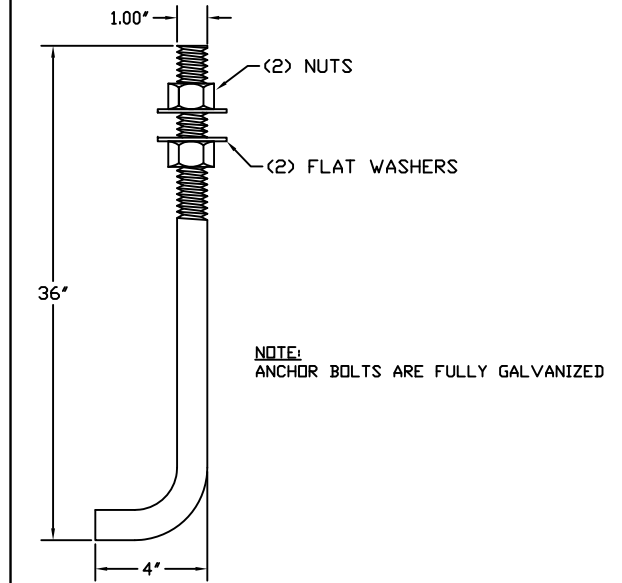
DETAIL 1 POLE ASSEMBLY



DETAIL 3 TYPICAL HANDHOLE



DETAIL 4 BASE PLATE



DETAIL 2 ANCHOR BOLTS

| COMPONENT | SPECIFICATION |
|--------------|-------------------|
| POLE SHAFT | ASTM A500 GR.B |
| MISC. STEEL | ASTM A36 |
| ANCHOR BOLTS | ASTM F1554 GR. 55 |
| BASE PLATE | ASTM A36 |

- GENERAL NOTES:
1. ALL HARDWARE TO BE GALVANIZED TO ASTM A153.
 2. POLE ASSEMBLY TO BE GALVANIZED TO ASTM A123.
 3. ALL WELDING TO CONFORM TO AWS D1.1 MOST RECENT EDITION.
 4. DESIGN INCORPORATE GUST FACTOR PER REF CODE.
 5. REFER TO GENERAL INSTALLATION INSTRUCTIONS PRIOR TO ASSEMBLY.
- FINISH: WIND SPEED: DESIGN CRITERIA:
- GALVANIZED 80 MPH 110 MPH AASHTO LTS 3 ASCE
 PAINTED 90 MPH 120 MPH AASHTO LTS 6 DSA
 PAINTED & GALV 100 MPH ___ MPH IBC UBC

| LOADING DATA | | | |
|--------------|---------|---------|---------|
| 90 MPH | 100 MPH | 110 MPH | 120 MPH |
| 8 EPA | 4 EPA | 3 EPA | N/A |
| 200 LBS | 100 LBS | 75 LBS | N/A |

DETAIL 2 MATERIAL SPECIFICATIONS



2316 WEAVER ST.
 HALTOM CITY, TX 76117
 METRO (817) 834-5538
 TOLL FREE (866) 724-4527
 FAX (817) 831-6088

| | | | |
|-----------------|-----------|---------------|--------|
| DATE: | REV.: | JOB NO. | SCALE: |
| | 00 | N/A | NTS |
| DRAWING NUMBER: | DRAWN BY: | QUOTE NUMBER: | |
| MSNH3550ABH | DR | N/A | |