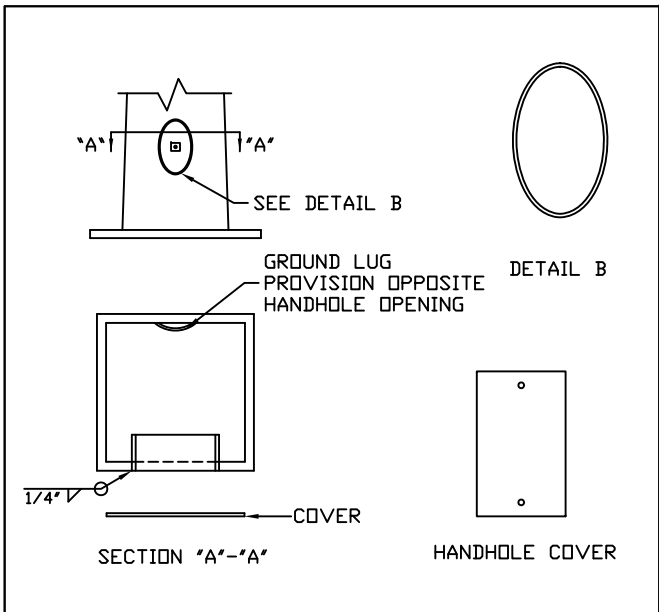
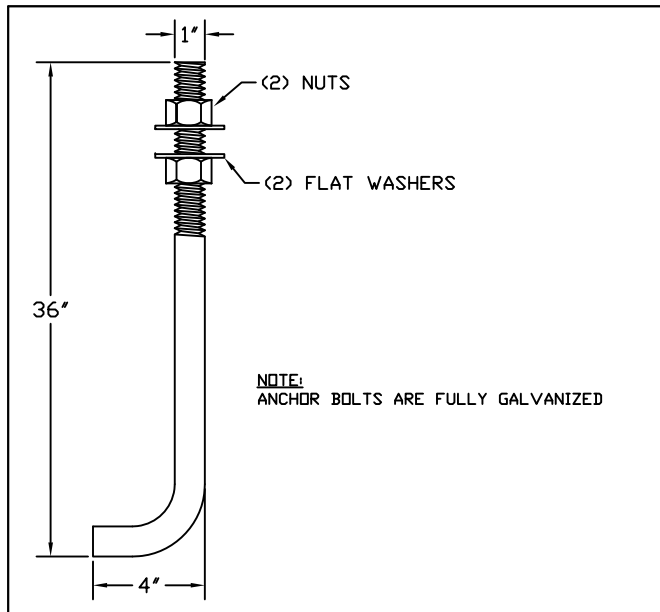


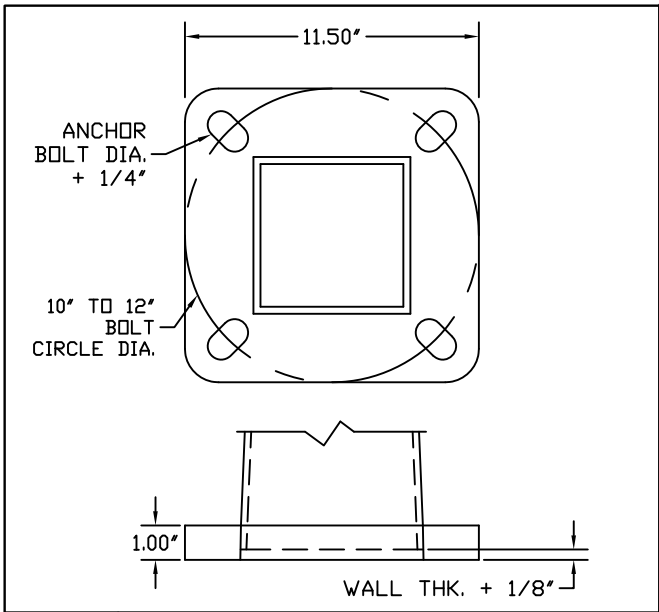
DETAIL 1 POLE ASSEMBLY



DETAIL 3 TYPICAL HANDHOLE



DETAIL 1 ANCHOR BOLTS



DETAIL 4 BASE PLATE

COMPONENT	SPECIFICATION
POLE SHAFT	ASTM A500 GR.B
MISC. STEEL	ASTM A36
ANCHOR BOLTS	ASTM F1554 GR. 55
BASE PLATE	ASTM A36

GENERAL NOTES:

- ALL HARDWARE TO BE GALVANIZED TO ASTM A153.
- POLE ASSEMBLY TO BE GALVANIZED TO ASTM A123.
- ALL WELDING TO CONFORM TO AWS D1.1 MOST RECENT EDITION.
- DESIGN INCORPORATE GUST FACTOR PER REF CODE.
- REFER TO GENERAL INSTALLATION INSTRUCTIONS PRIOR TO ASSEMBLY.

FINISH:                      WIND SPEED:                      DESIGN CRITERIA:

GALVANIZED                       80 MPH     110 MPH     AASHTO LTS 3     ASCE

PAINTED                               90 MPH     120 MPH     AASHTO LTS 6     DSA

PAINTED & GALV     100 MPH     \_\_\_ MPH     IBC                       UBC

LOADING DATA			
90 MPH	100 MPH	110 MPH	120 MPH
12 EPA	9 EPA	5 EPA	3 EPA
300 LBS	225 LBS	125 LBS	75 LBS

DETAIL 2 MATERIAL SPECIFICATIONS



2316 WEAVER ST.  
 HALTOM CITY, TX 76117  
 METRO (817) 834-5538  
 TOLL FREE (866) 724-4527  
 FAX (817) 831-6088

DATE:	REV.:	JOB NO.:	CHECKED BY:
	00	N/A	NTS
DRAWING NUMBER:		DRAWN BY:	QUOTE NUMBER:
MSNH3050ABH		DR	N/A