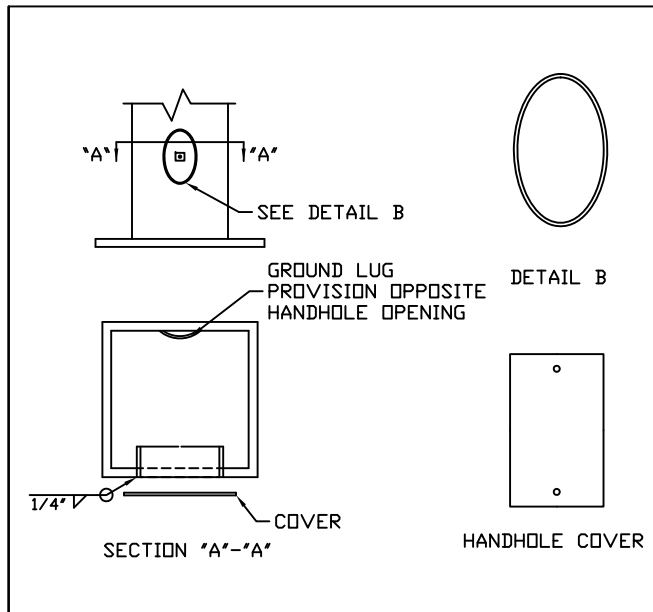
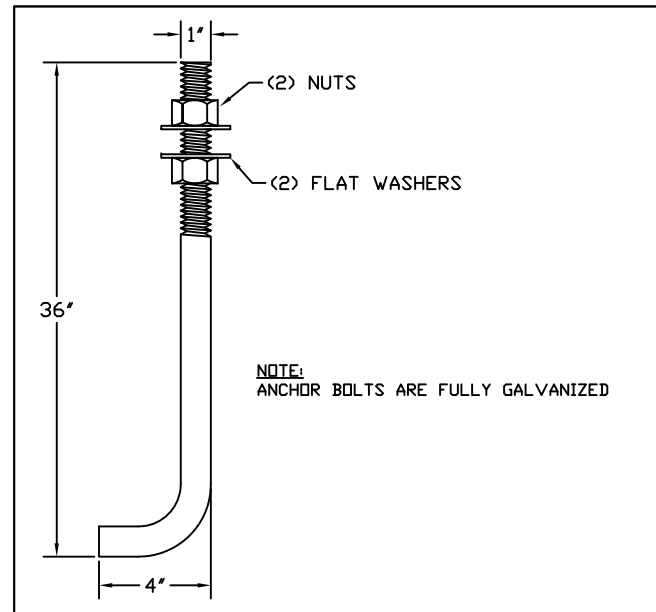


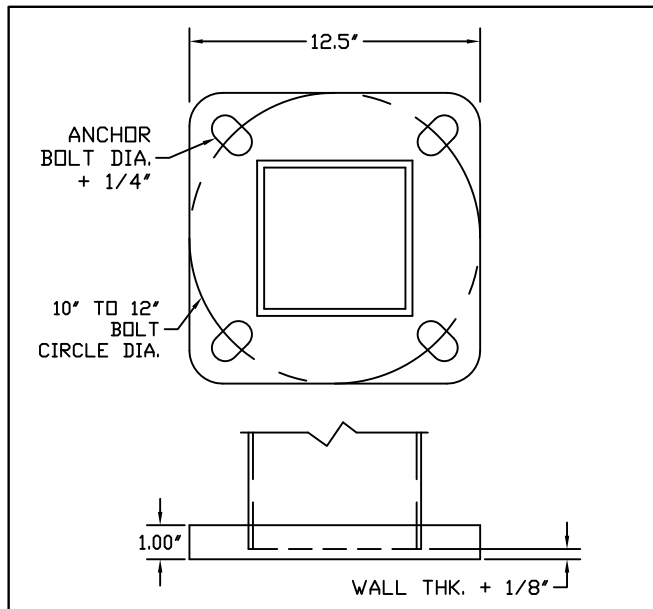
DETAIL 1 POLE ASSEMBLY



DETAIL 3 TYPICAL HANDHOLE



DETAIL 2 ANCHOR BOLTS



DETAIL 4 BASE PLATE

COMPONENT	SPECIFICATION
POLE SHAFT	ASTM A500 GR.B
MISC. STEEL	ASTM A36
ANCHOR BOLTS	ASTM F1554 GR. 55
BASE PLATE	ASTM A36

GENERAL NOTES:

1. ALL HARDWARE TO BE GALVANIZED TO ASTM A153.
2. POLE ASSEMBLY TO BE GALVANIZED TO ASTM A123.
3. ALL WELDING TO CONFORM TO AWS D1.1 MOST RECENT EDITION.
4. DESIGN INCORPORATE GUST FACTOR PER REF CODE.
5. REFER TO GENERAL INSTALLATION INSTRUCTIONS PRIOR TO ASSEMBLY.

FINISH:                      WIND SPEED:                      DESIGN CRITERIA:

GALVANIZED     80 MPH     110 MPH     AASHTO LTS 3     ASCE  
 PAINTED         90 MPH     120 MPH     AASHTO LTS 6     DSA  
 PAINTED & GALV     100 MPH     \_\_\_ MPH     IBC                       UBC

LOADING DATA			
90 MPH	100 MPH	110 MPH	120 MPH
8 EPA	4 EPA	3 EPA	N/A
200 LBS	100 LBS	75 LBS	N/A

DETAIL 2 MATERIAL SPECIFICATIONS

DATE:	REV.:	JOB NO.:	SCALE:
	00	N/A	NTS
DRAWING NUMBER:	DRAWN BY:	QUOTE NUMBER:	
MSN3550ABH	DR	N/A	