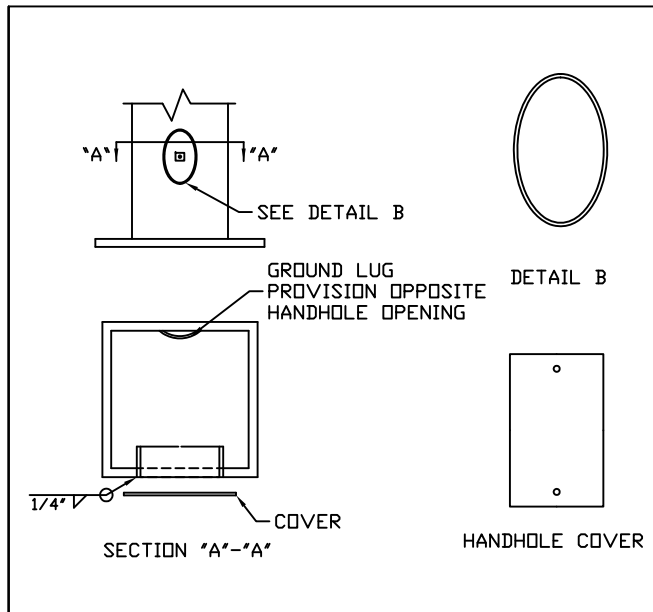
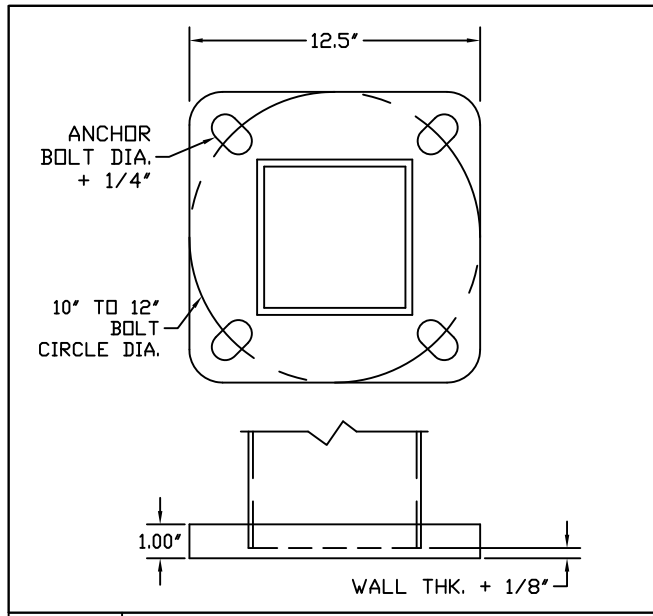


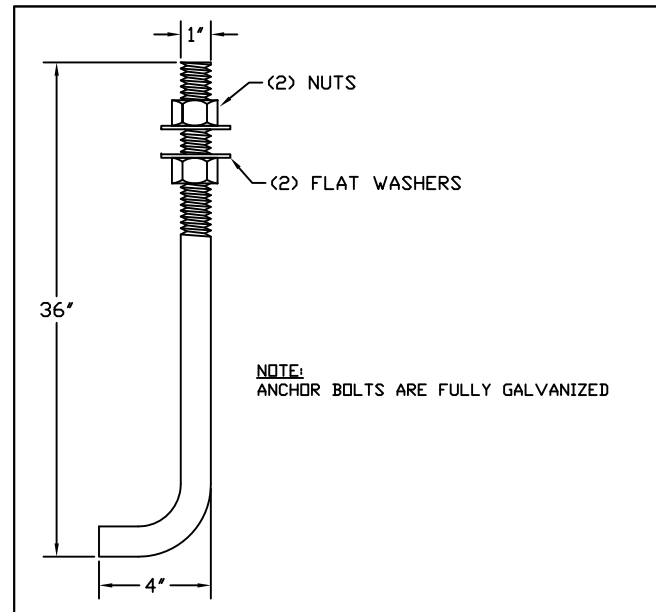
DETAIL 2 POLE ASSEMBLY



DETAIL 3 TYPICAL HANDHOLE



DETAIL 4 BASE PLATE



DETAIL 1 ANCHOR BOLTS

COMPONENT	SPECIFICATION
POLE SHAFT	ASTM A500 GR.B
MISC. STEEL	ASTM A36
ANCHOR BOLTS	ASTM F1554 GR. 55
BASE PLATE	ASTM A36

- GENERAL NOTES:**
1. ALL HARDWARE TO BE GALVANIZED TO ASTM A153.
 2. POLE ASSEMBLY TO BE GALVANIZED TO ASTM A123.
 3. ALL WELDING TO CONFORM TO AWS D1.1 MOST RECENT EDITION.
 4. DESIGN INCORPORATE GUST FACTOR PER REF CODE.
 5. REFER TO GENERAL INSTALLATION INSTRUCTIONS PRIOR TO ASSEMBLY.
- FINISH:**
- | | | | | |
|---|----------------------------------|----------------------------------|--|-------------------------------|
| <input type="checkbox"/> GALVANIZED | <input type="checkbox"/> 80 MPH | <input type="checkbox"/> 110 MPH | <input type="checkbox"/> AASHTO LTS 3 | <input type="checkbox"/> ASCE |
| <input type="checkbox"/> PAINTED | <input type="checkbox"/> 90 MPH | <input type="checkbox"/> 120 MPH | <input checked="" type="checkbox"/> AASHTO LTS 6 | <input type="checkbox"/> DSA |
| <input type="checkbox"/> PAINTED & GALV | <input type="checkbox"/> 100 MPH | <input type="checkbox"/> ___ MPH | <input type="checkbox"/> IBC | <input type="checkbox"/> UBC |

DETAIL 2 MATERIAL SPECIFICATIONS

DATE:	REV.:	JOB NO.:	SCALE:
	00	N/A	NTS
DRAWING NUMBER:	DRAWN BY:	QUOTE NUMBER:	
MSN3550AB	DR	N/A	