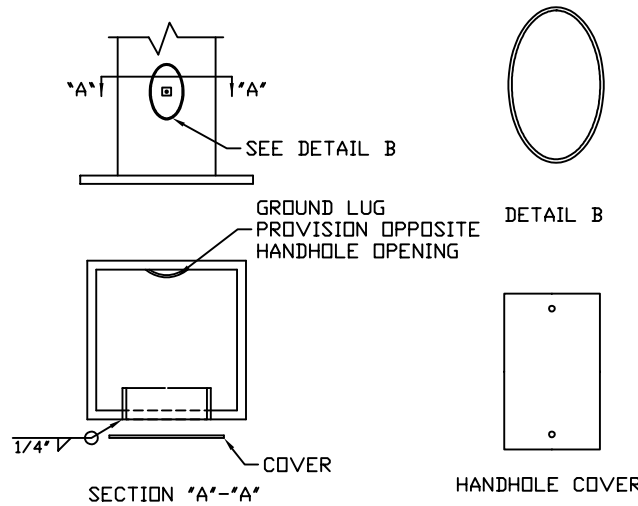
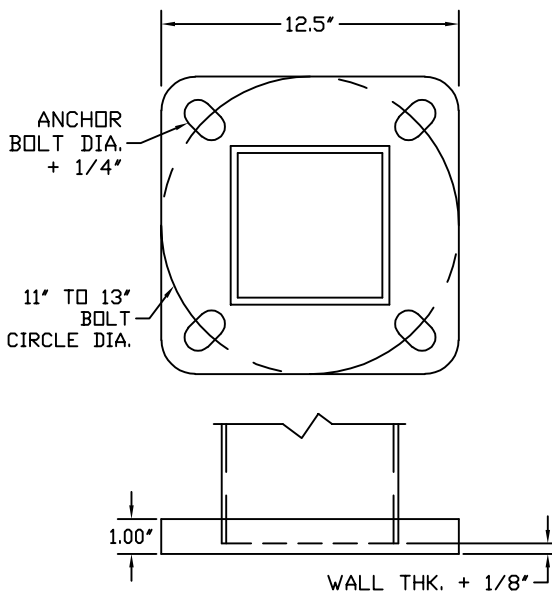


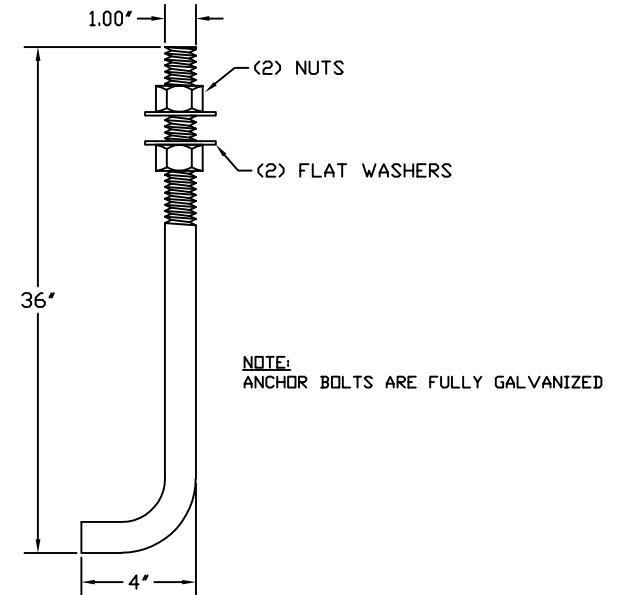
DETAIL POLE ASSEMBLY



DETAIL 3 TYPICAL HANDHOLE



DETAIL 4 BASE PLATE



DETAIL 1 ANCHOR BOLTS

| COMPONENT    | SPECIFICATION     |
|--------------|-------------------|
| POLE SHAFT   | ASTM A500 GR.B    |
| MISC. STEEL  | ASTM A36          |
| ANCHOR BOLTS | ASTM F1554 GR. 55 |
| BASE PLATE   | ASTM A36          |

GENERAL NOTES:

1. ALL HARDWARE TO BE GALVANIZED TO ASTM A153.
2. POLE ASSEMBLY TO BE GALVANIZED TO ASTM A123.
3. ALL WELDING TO CONFORM TO AWS D1.1 MOST RECENT EDITION.
4. DESIGN INCORPORATE GUST FACTOR PER REF CODE.
5. REFER TO GENERAL INSTALLATION INSTRUCTIONS PRIOR TO ASSEMBLY.

|   |                                  |  |
|---|----------------------------------|--|
| <b>FINISH:</b>                          | <b>WIND SPEED:</b>               | <b>DESIGN CRITERIA:</b>                          |
| <input type="checkbox"/> GALVANIZED     | <input type="checkbox"/> 80 MPH  | <input type="checkbox"/> AASHTO LTS 3            |
| <input type="checkbox"/> PAINTED        | <input type="checkbox"/> 90 MPH  | <input checked="" type="checkbox"/> AASHTO LTS 6 |
| <input type="checkbox"/> PAINTED & GALV | <input type="checkbox"/> 100 MPH | <input type="checkbox"/> IBC                     |
|   | <input type="checkbox"/> 110 MPH | <input type="checkbox"/> ASCE                    |
|   | <input type="checkbox"/> 120 MPH | <input type="checkbox"/> DSA                     |
|   | <input type="checkbox"/> ___ MPH | <input type="checkbox"/> UBC                     |

DETAIL 2 MATERIAL SPECIFICATIONS



2316 WEAVER ST.  
 HALTOM CITY, TX 76117  
 METRO (817) 834-5538  
 TOLL FREE (866) 724-4527  
 FAX (817) 831-6088

|                            |              |                   |            |
|----------------------------|--------------|-------------------|------------|
| DATE:                      | REV.: 00     | JOB NO.: N/A      | SCALE: NTS |
| DRAWING NUMBER: MSN3060ABX | DRAWN BY: DR | QUOTE NUMBER: N/A |            |