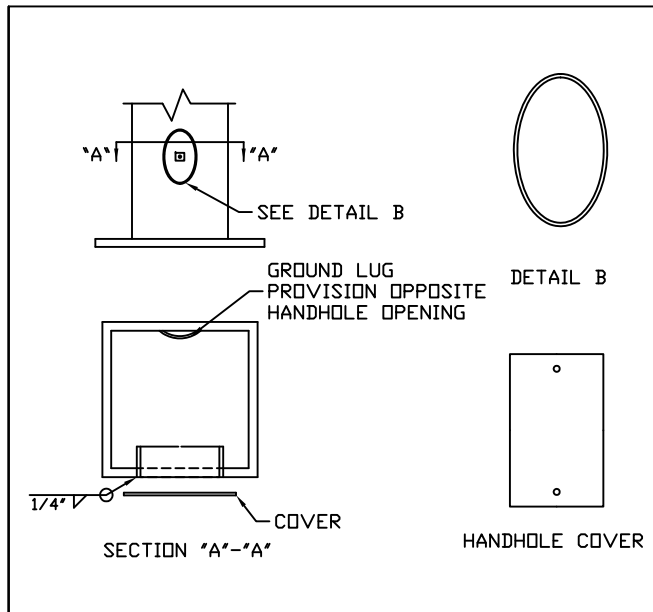
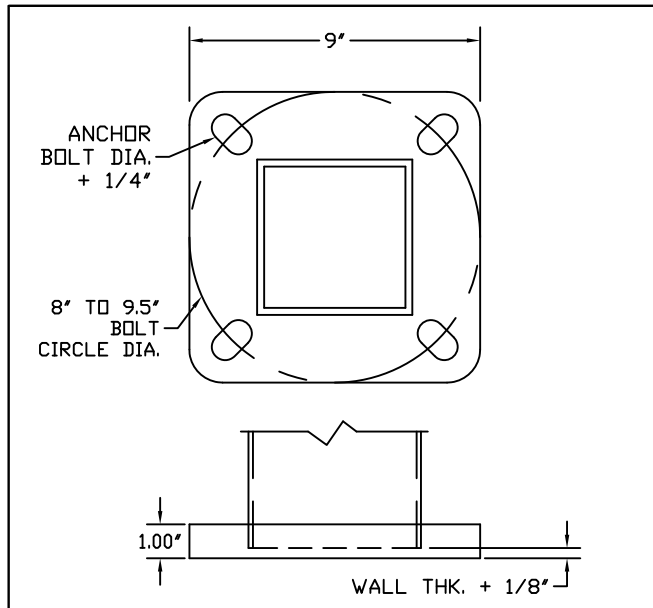


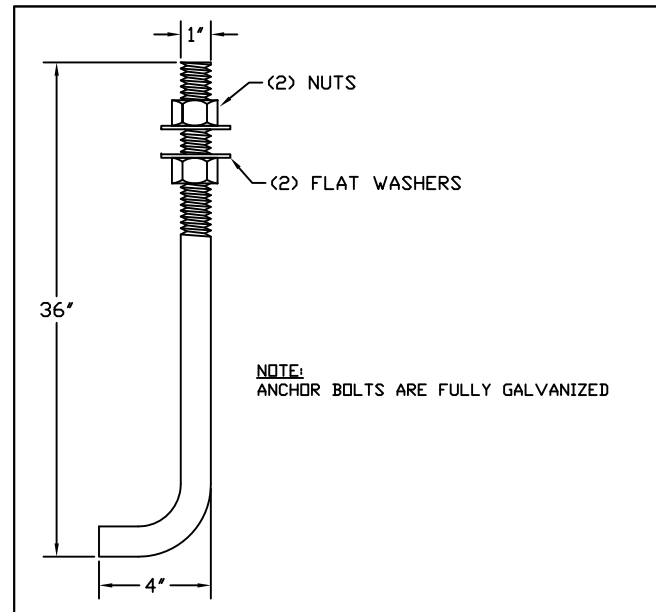
DETAIL 1 POLE ASSEMBLY



DETAIL 3 TYPICAL HANDHOLE



DETAIL 4 BASE PLATE



DETAIL 1 ANCHOR BOLTS

COMPONENT	SPECIFICATION
POLE SHAFT	ASTM A500 GR.B
MISC. STEEL	ASTM A36
ANCHOR BOLTS	ASTM F1554 GR. 55
BASE PLATE	ASTM A36

- GENERAL NOTES:**
1. ALL HARDWARE TO BE GALVANIZED TO ASTM A153.
  2. POLE ASSEMBLY TO BE GALVANIZED TO ASTM A123.
  3. ALL WELDING TO CONFORM TO AWS D1.1 MOST RECENT EDITION.
  4. DESIGN INCORPORATE GUST FACTOR PER REF CODE.
  5. REFER TO GENERAL INSTALLATION INSTRUCTIONS PRIOR TO ASSEMBLY.
- FINISH:**
- GALVANIZED     PAINTED     PAINTED & GALV
- WIND SPEED:**
- 80 MPH     90 MPH     100 MPH     110 MPH     120 MPH     \_\_\_ MPH
- DESIGN CRITERIA:**
- AASHTO LTS 3     ASCE     AASHTO LTS 6     DSA     IBC     UBC

LOADING DATA			
90 MPH	100 MPH	110 MPH	120 MPH
6 EPA	3 EPA	2 EPA	N/A
150 LBS	75 LBS	50 LBS	N/A

DETAIL 2 MATERIAL SPECIFICATIONS

DATE:	REV.:	JOB NO.:	SCALE:
	00	N/A	NTS
DRAWING NUMBER:	DRAWN BY:	QUOTE NUMBER:	
MSN3040ABH	DR	N/A	